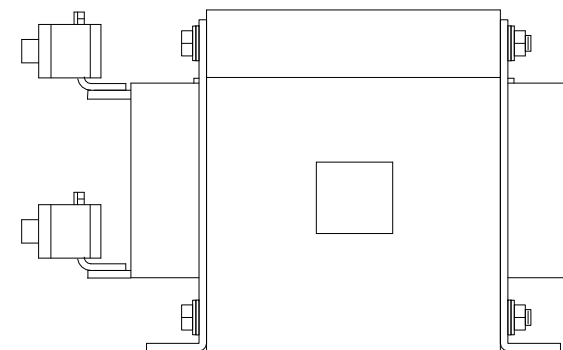
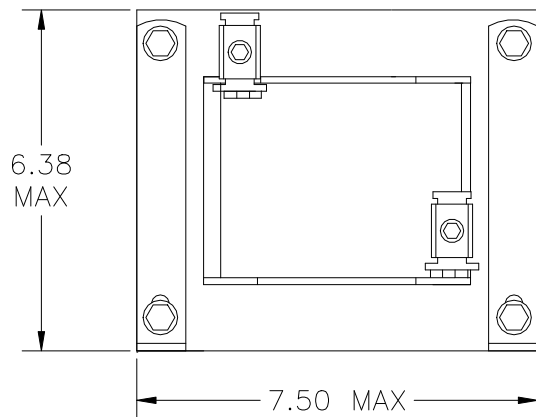
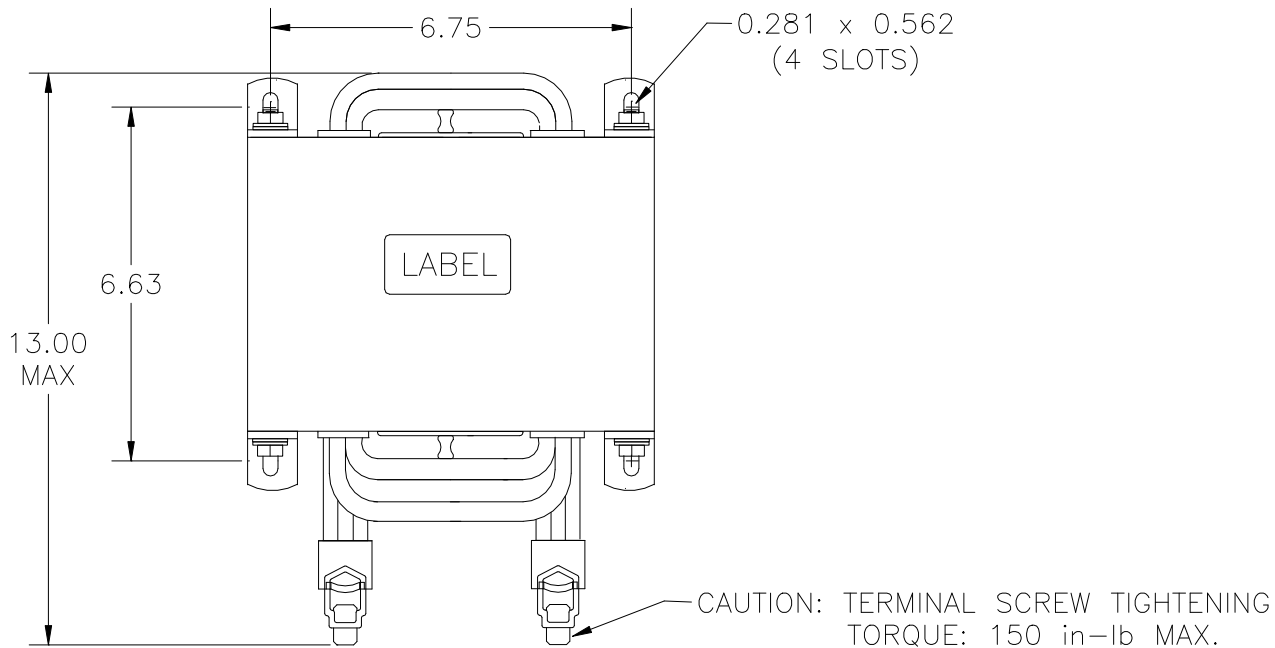


INDUCTANCE	LOSSES	WEIGHT
0.5 mH	105 Watts	77 Lbs

NO.	CHANGE DESCRIPTION	BY	DATE	C'K'D
05	REVISED PER ECR 7175, ADDED CD	RS	8/23/10	



UNLESS OTHERWISE SPECIFIED, DIMENSIONS ARE IN INCHES [mm] AND TOLERANCES ARE:

DECI.                      FRAC.  
  
ANGLES                      DRILLED HOLES

PART NAME:	DC LINK CHOKE
DESCRIPTION:	OUTLINE DIMENSION
FINISH:	

MTE CORPORATION MENOMONEE FALLS, WISCONSIN			
CD 200RB004			REV. 05
SCALE	NTS	DATE 02/10/97	C'K'D
REF.	DR. BY	BS	APP'D

FILE: